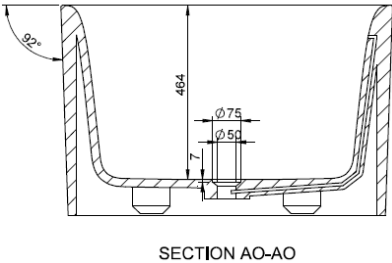
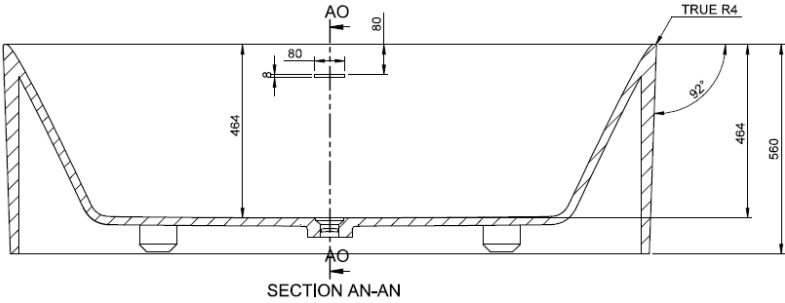
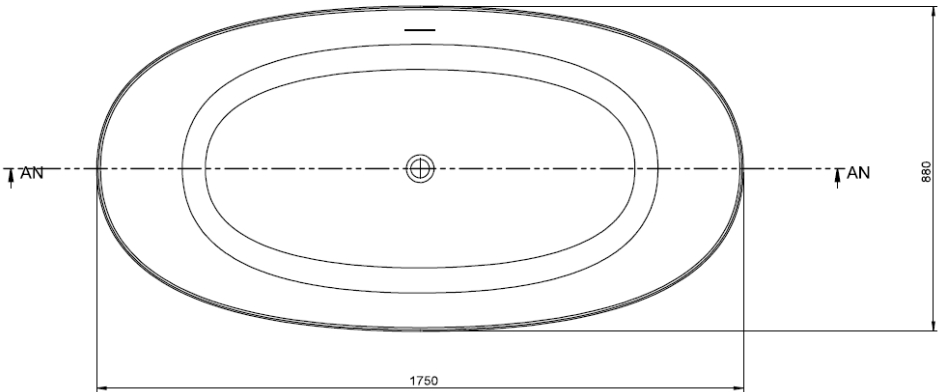




SOLIDCLIFF PS IDV 290229

SOLID SURFACE ELONGATED BATHTUB  
AVAILABLE IN MATTE WHITE



SOLIDCLIFF MATTE WHITE PS IDV 290229  
69"x 35"X22" - 1/4" RADIUS ON TOP EDGE  
NET WEIGHT 441 LBS - WATER CAPACITY 82 GAL  
O/FLOW & MATTE WHITE TRIM ON POP-UP.  
ADJUSTABLE FEET

Project Information  
Job Name: \_\_\_\_\_ Date: \_\_\_\_\_ Type of hardware: \_\_\_\_\_  
Comments: \_\_\_\_\_  
Approved: \_\_\_\_\_